

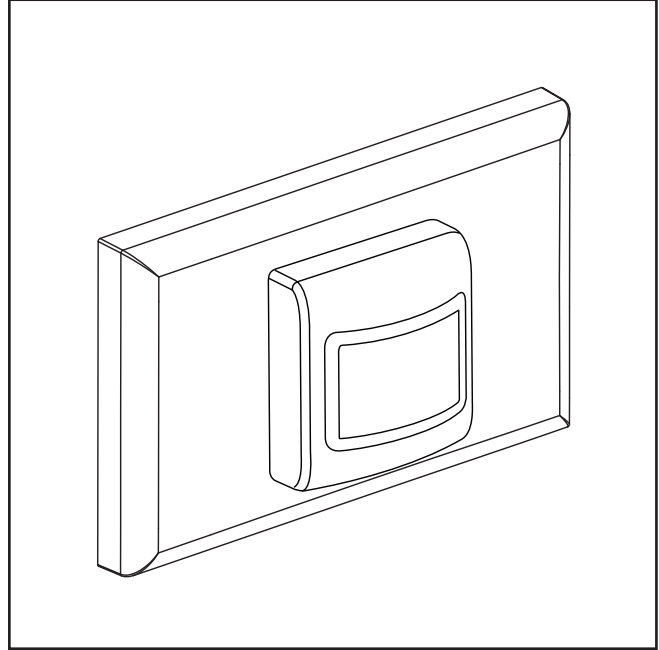


Excel Movement Sensor Cat XLP912WEWE & XLP913WEWE Instruction Manual

1 Load Compatibility

Load Type	Maximum Load	
	XLP912WEWE	XLP913WEWE
Incandescent	1000W	400W
240V Halogen	1000W	400W
Low Voltage Halogen with electronic transformer	500VA	400VA
Low Voltage Halogen with ferromagnetic transformer	500VA	400VA
Linear Fluorescent	500VA	Not Suitable
Compact Fluorescent	500VA	Not Suitable
Fan Motor	100VA	Not Suitable
Contactors	1 max (< 2A)	Not Suitable

Note: Minimum load for XLP913WEWE is 40W.



2 Operation

XLP912WEWE and XLP913WEWE are Passive Infra-Red (PIR) movement sensors. When movement is detected, the connected load will switch on for a time period that can be preset by the user.

XLP912WEWE is a 3-wire product and thus requires a neutral. It has a relay output which turns the load on and off without dimming.

XLP913WEWE is a 2-wire product with a solid state output which turns the load on and off gradually over a few seconds.

Both models have adjustments for the following:

1 Time delay (1 second to 16 minutes)

The period of time the load stays on after movement is detected.

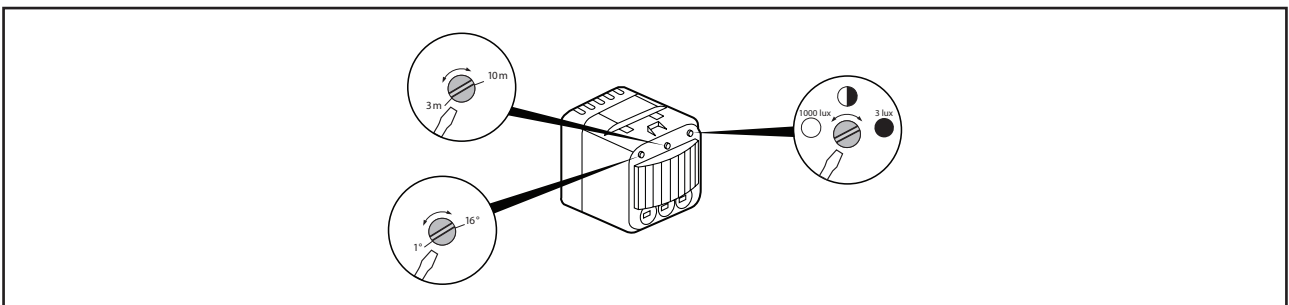
2 Detection range (3 metres to 10 metres)

See range diagrams overleaf.

3 Brightness threshold (3 lux to 1000 lux)

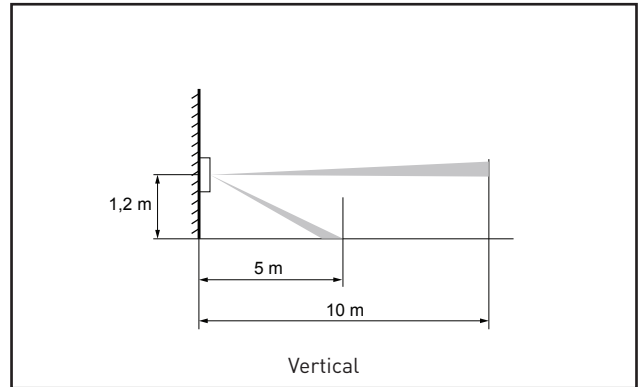
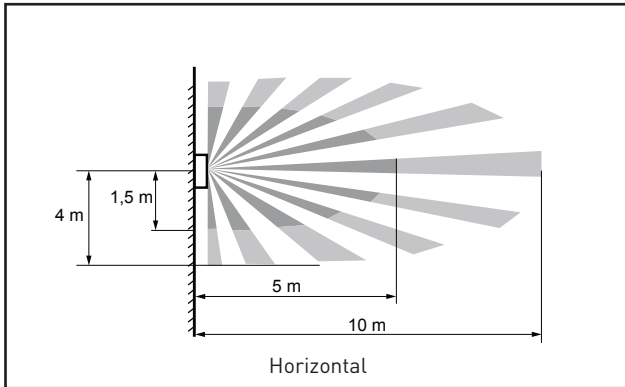
Sensor will only operate if ambient light is below this value. For day time operation use a higher lux setting, and for night operation only use a lower lux setting.

These adjustments are located underneath the front cover.

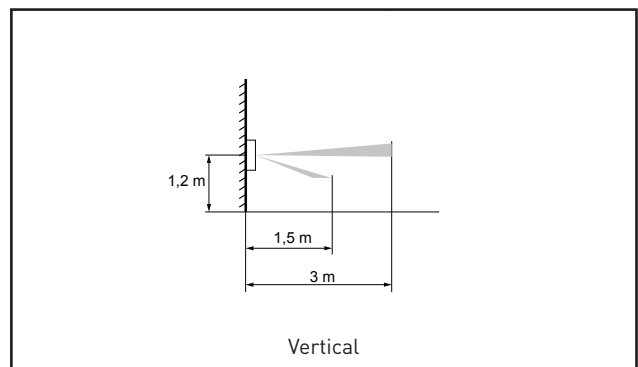
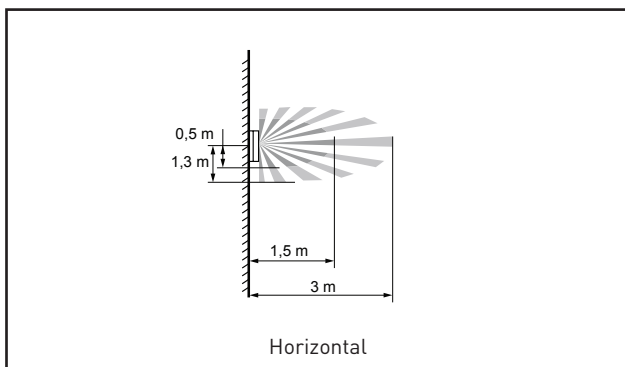


2 Operation continued

Field of view with detection range set to 10 metres:

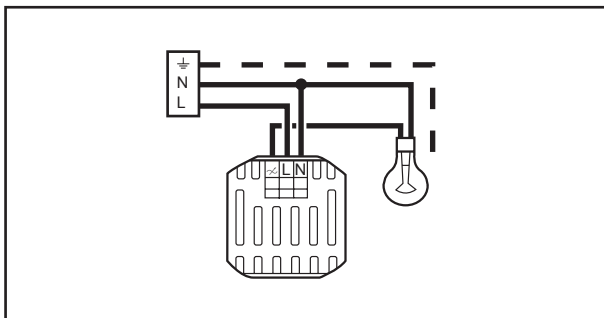


Field of view with detection range set to 3 metres:

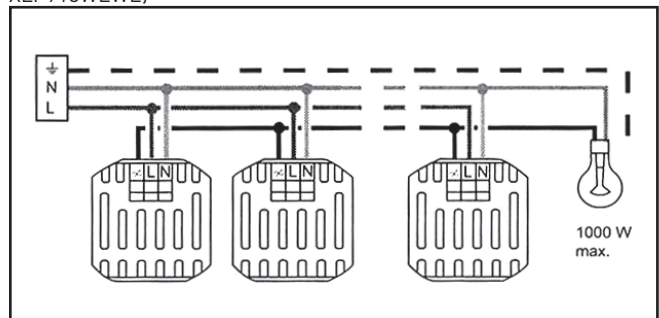


3 Wiring

Wiring a single sensor (no neutral required for XLP913WEWE)

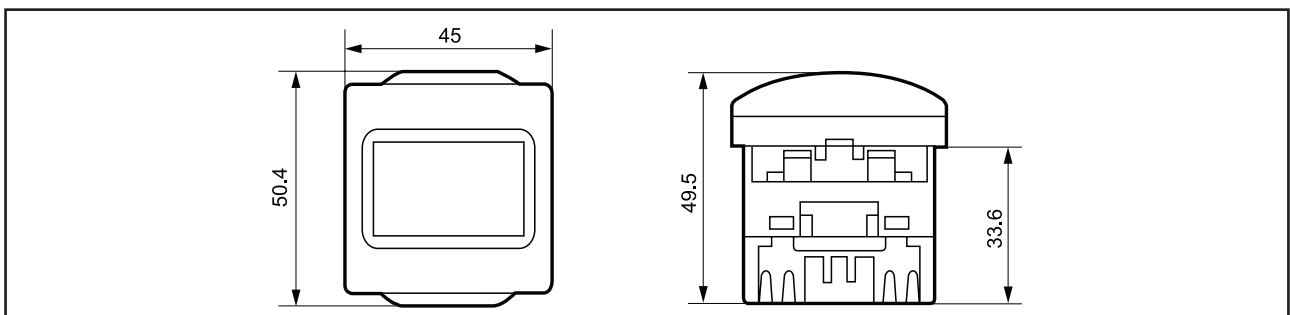


Wiring several sensors in parallel (no neutral is required for XLP913WEWE)



Note: Connecting XLP913WEWE sensors in parallel is only possible with an incandescent load. The minimum load must be 40W multiplied by the number of sensors (e.g. 120W for 3 sensors).

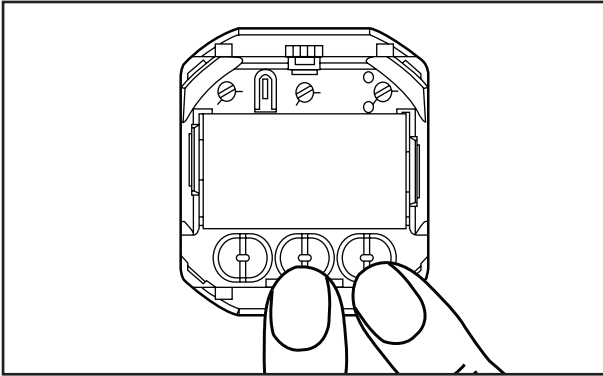
4 Mechanism Dimensions



5 Dimming Mode (XLP913WEWE Only)

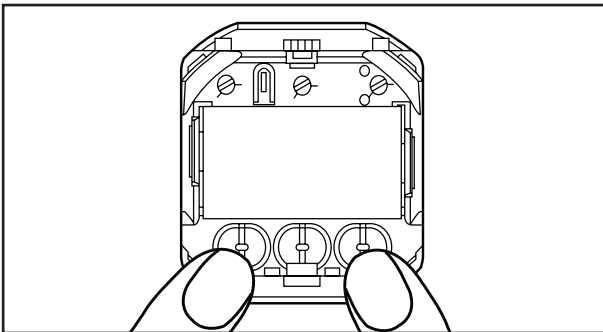
The 2-wire XLP913WEWE dims the load up and down over a few seconds when switching on and off. It does this in either leading or trailing edge mode, depending on the type of load connected. The unit can be set to automatically detect the load type, or manually set to either leading or trailing edge.

Automatic load detection (factory default setting)



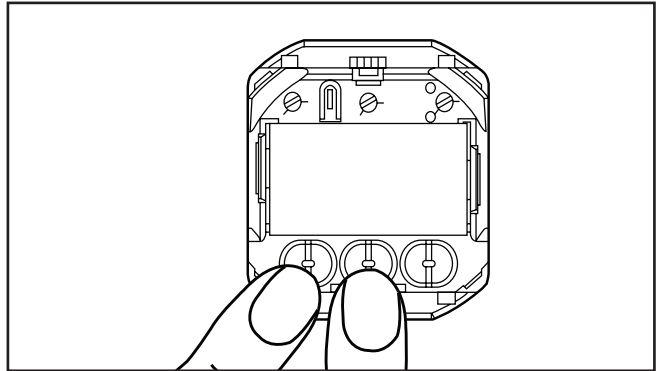
The unit will detect the load and automatically select leading or trailing edge. Press and hold middle and right buttons for 10 seconds.

Leading edge mode



Use for incandescent or ferromagnetic transformer loads. Press and hold left and right buttons for 10 seconds.

Trailing edge mode



Use for incandescent or electronic transformer loads. Press and hold left and middle buttons for 10 seconds.

Technical Characteristics

Cat No	XLP912WEWE	XLP913WEWE
Supply voltage	230-240V a.c.	230-240V a.c.
2 or 3 wire	3 wire	2 wire
Minimum load	0W	40W
Maximum load	See Load Compatibility	
Terminal capacity	2 x 1.5mm ² or 1 x 2.5mm ²	
IP rating	IP41	
Storage temperature	0°C to +35°C	
Operating temperature	0°C to +35°C	
Resistant to the following agents	Hexane, methylated spirits, soapy water, diluted ammonia, diluted pure bleach (10%), glass cleaning substance, pre-impregnated wipes	
Not resistant to the following agents	Acetone, tar remover, trichloroethylene	

Warning: These products must only be connected to the mains supply by a qualified electrician.

Warranty

HPM Cat XLP912WEWE & XLP913WEWE are warranted as here and after appears, against faulty material and/or workmanship for a period of one year from the day of purchase. The obligation of the manufacturer under this warranty is limited to servicing and replacing defective parts when the unit is returned to the authorised place of purchase. To obtain warranty repair, the purchase receipt should be returned with the product. This warranty becomes void on any unit which has been tampered with or damaged by accident, short circuited, loaded beyond rating or damaged otherwise by improper operation. The warranty is also conditional on the unit being installed by a licensed electrical contractor. All other warranties, whether expressed or implied, and whether arising by operation of law or otherwise are hereby excluded.

Customer Service

For all customer service and technical support please call Monday to Friday during business hours.

HPM Legrand Australia
1300 369 777
www.hpm.com.au

HPM Legrand - New Zealand
0800 476 009
www.hpm.co.nz

Legrand Australia Pty Ltd
ABN: 31 000 102 661

A Group Brand | 